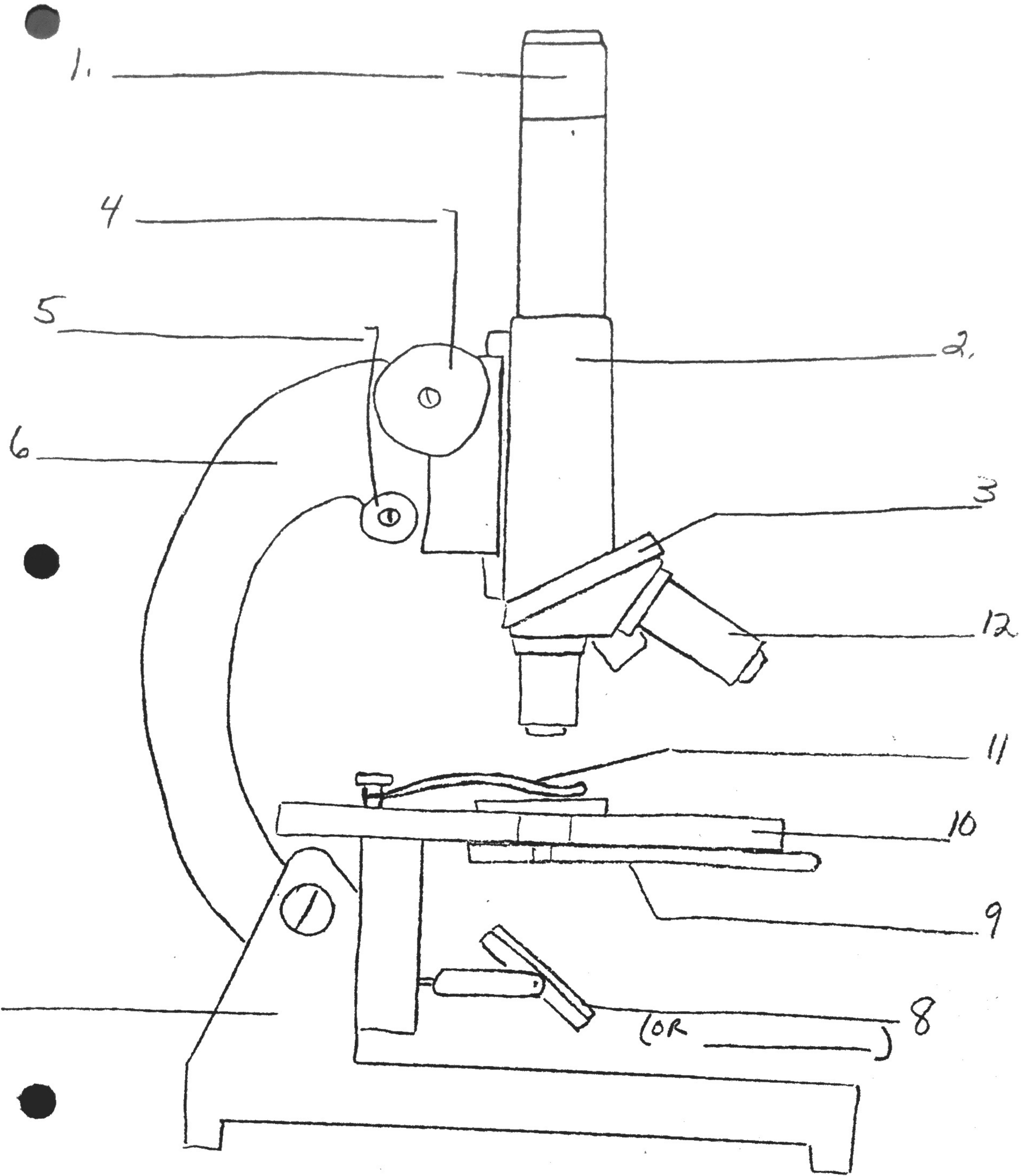


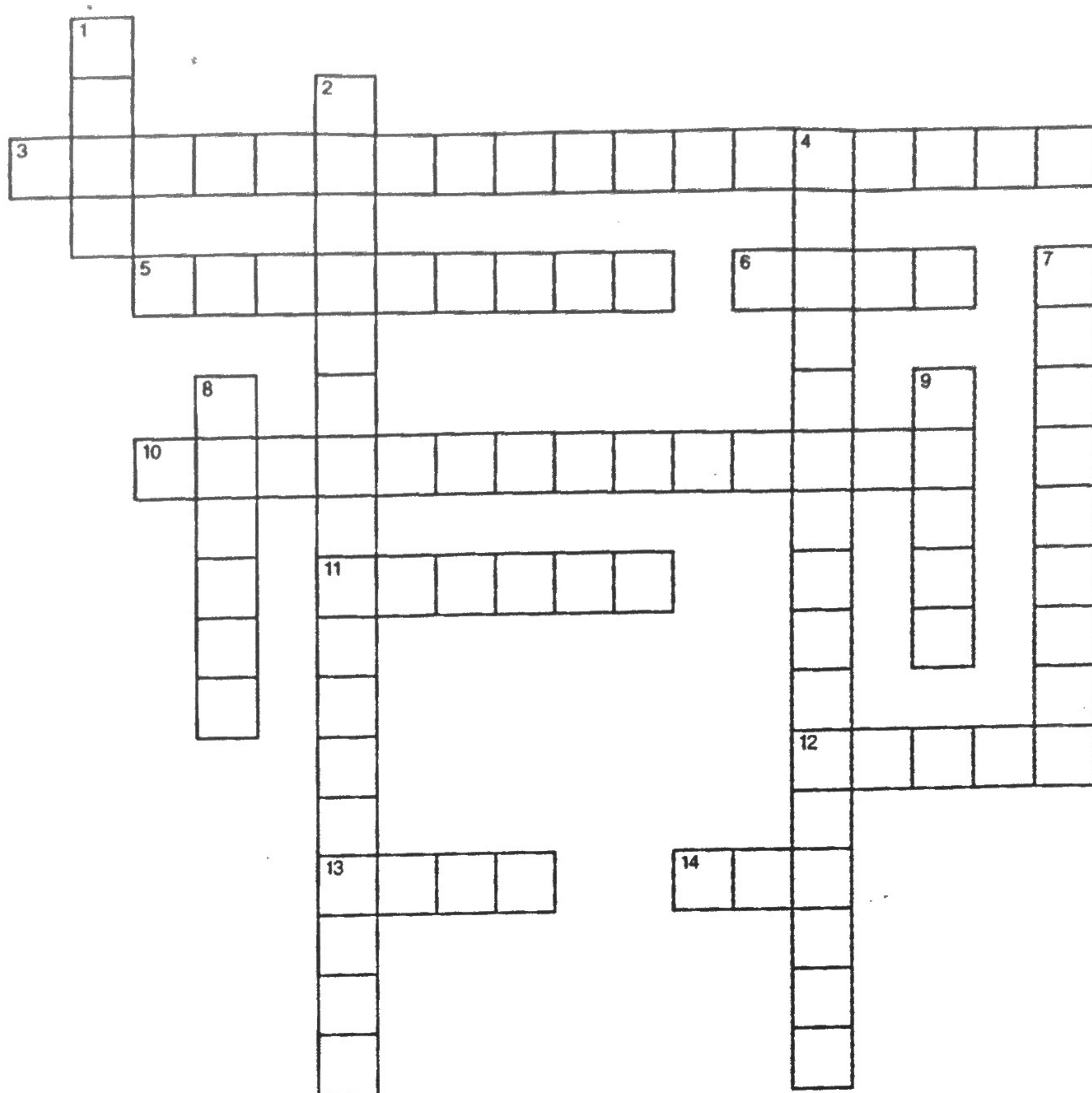
MICROSCOPE PARTS

NAME _____



MICROSCOPE CROSSWORD

Name _____



Across

3. Lens that allows greater magnification
5. Regulates the amount of light
6. The microscope rests on this.
10. Used for final focusing
11. Eyepiece
12. Platform upon which to mount the slide
13. Holds eyepiece lens at top and objective lens at bottom
14. Holds the tube and stage, and attaches them to the base

Down

1. Holds the slide in place
2. Lens used to locate the specimen
4. Used for first focusing
7. Rotating piece that holds objective lens
8. Reflects light to the specimen
9. Chemical sometimes used to make the specimen visible